

**AC/DC or DC/DC Power Supply
Dual Redundant Input
2 Redundant Outputs**



Document No. 3544 Rev B Print Date: 2006-02-10

Input Specifications

AC Input	115/230 VAC Autoranging	
DC Input Options	48V (36-72V)	150V(100-200V)

Output Specifications

Nominal Output Voltage Vo(nom) (Factory configurable)	24 to 48 V	
Output Voltage Setpoint (No Load)	Vo(nom) + 0.5V ±2%	
Output Regulation (0 to Full Load)	<1V	
Maximum Output Power – Output A	400W	
Maximum Output Power – Output B	200W	
Short Circuit Current Limit (Max)	125% of Nominal Output Current	
Output Ripple and Noise 20%-100% load 20MHz BW	the higher of 1.5% or 100mV	
Over Voltage Protection (Latching)	Yes	
Power Good Signal	Relay Dry-Contact NC or NO (Factory Configurable)	
Output Good Indicator	LED	

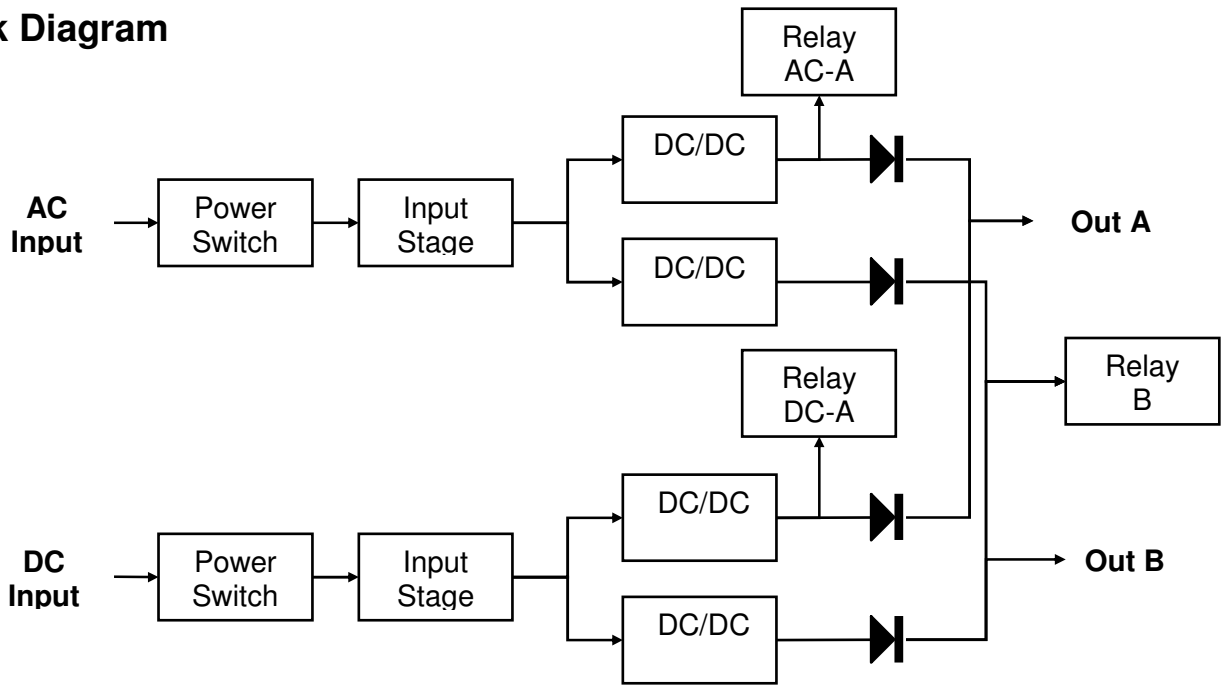
Mechanical Specifications

Dimensions	17" x 9.57" x 4.9"	
Cooling	Natural Convection	
Operating Temperature Range	-20°C to 50°C	
Storage Temperature Range	-40°C to 70°C	
Maximum Heatsink Baseplate Temperature Allowed	80°C	

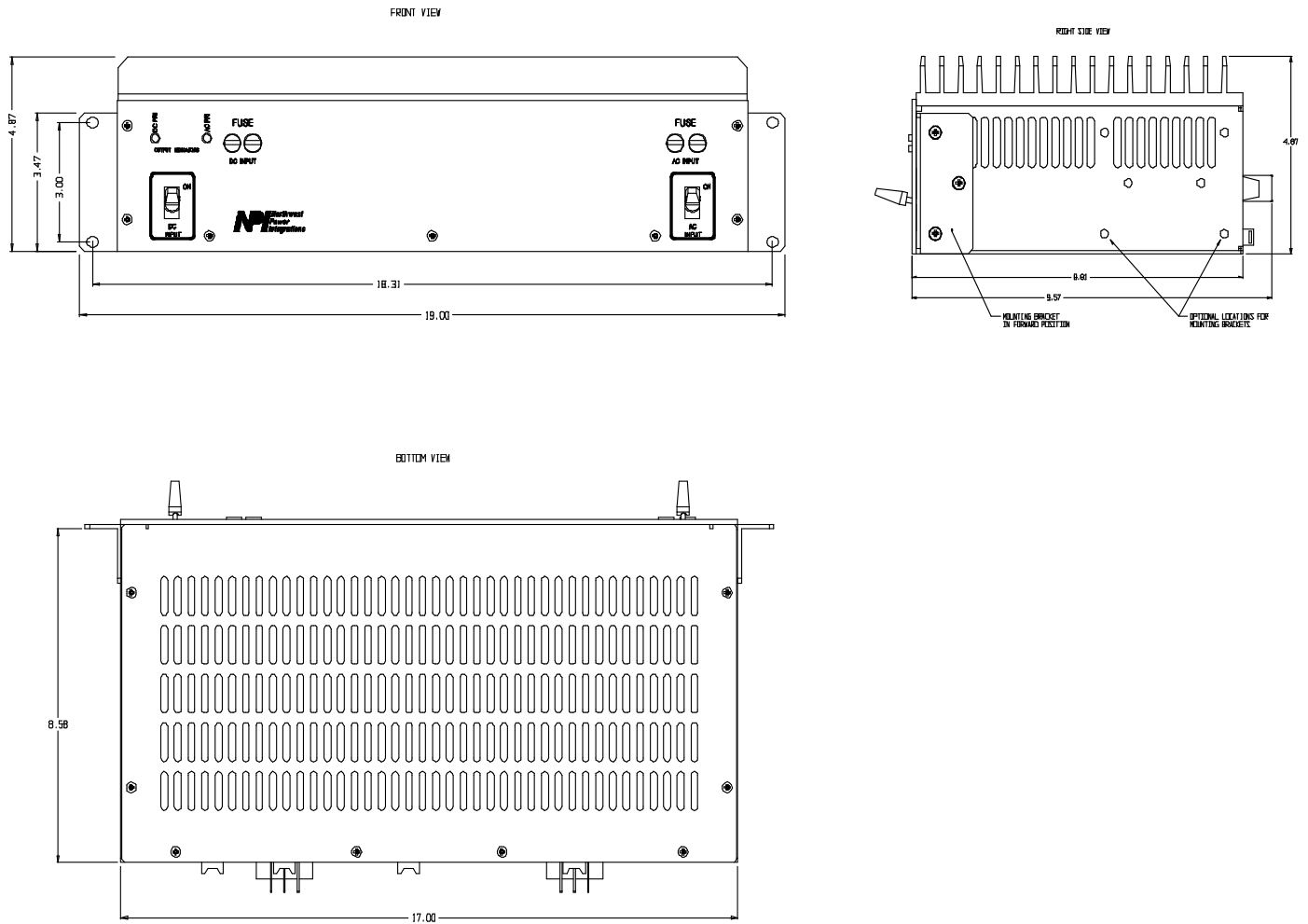
Safety and Agency Compliance

Designed to meet the requirements of:	UL1950
---------------------------------------	--------

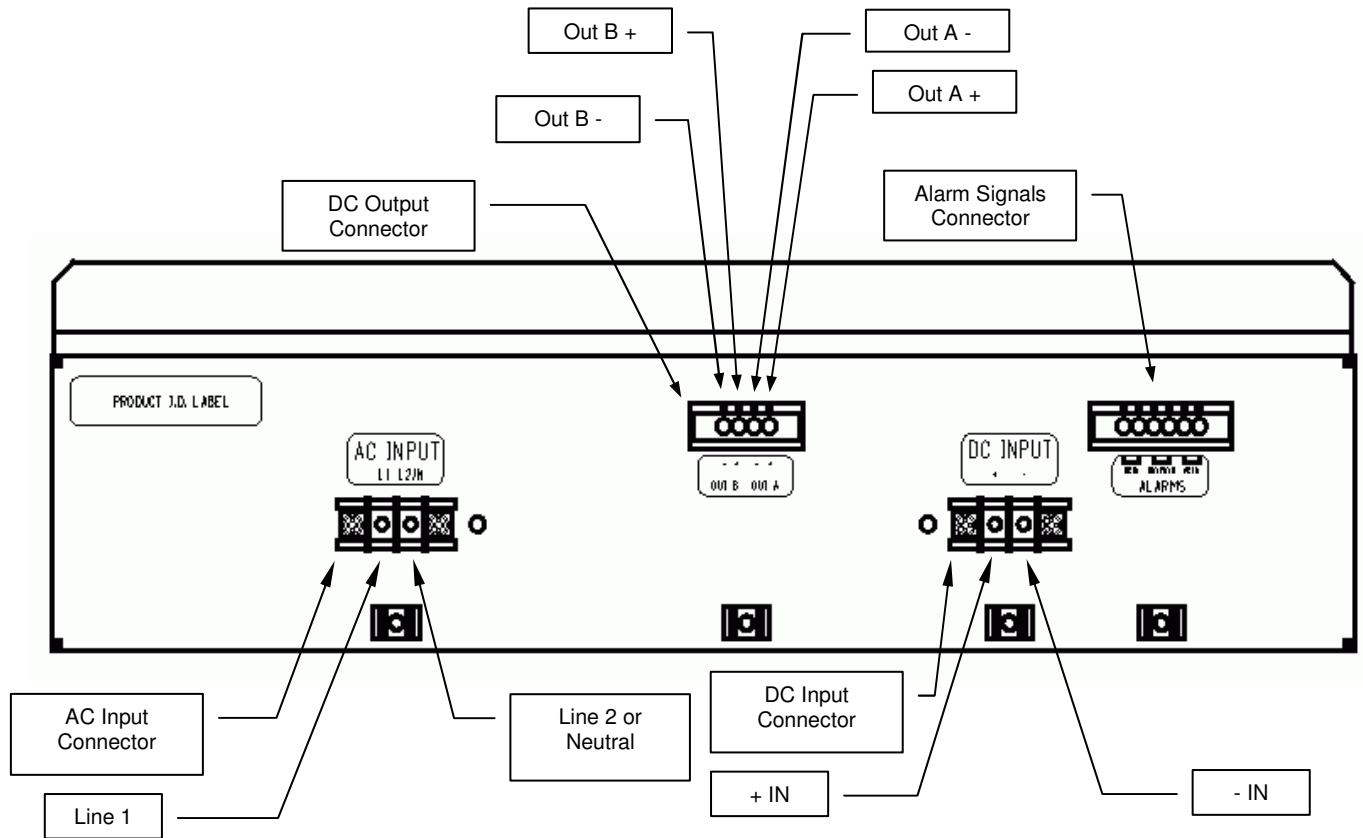
Block Diagram



Outline Drawing



Rear Panel Connections



NPI -Power Solutions with Integrity

Information furnished by NPI is believed to be accurate and reliable. However, no responsibility is assumed by NPI or Vicor for its use. No license is granted by implication or otherwise under any patent or patent rights of NPI or Vicor. NPI products are not designed to be used in applications, such as life support systems, wherein a failure or malfunction could result in injury or death. All sales are subject to NPI's Terms and Conditions of Sale, which are available upon request.

Specifications are subject to change without notice.

Northwest Power Integrations, Inc. ♦ 4211 SE International Way, Suite F ♦ Milwaukie, OR, USA
 Tel: 503-652-6161 ♦ Fax: 503-652-6868 ♦ www.npi-inc.com