

4

3

2

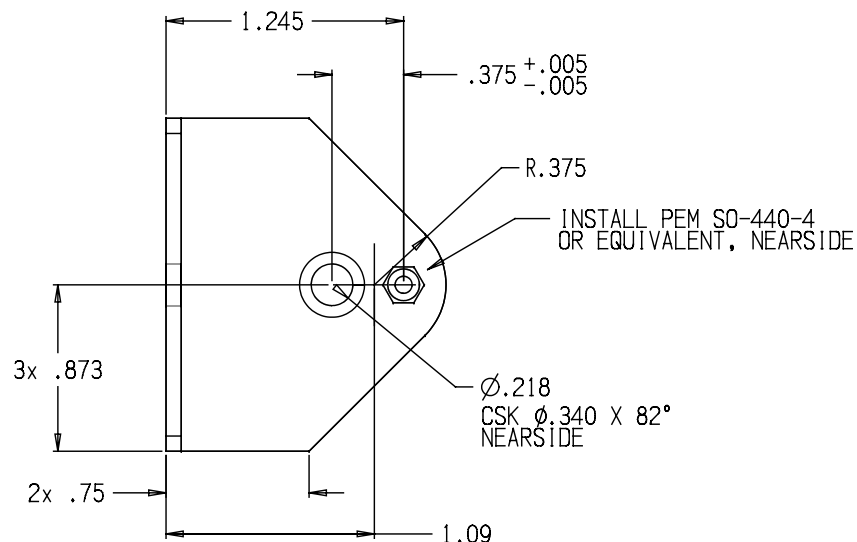
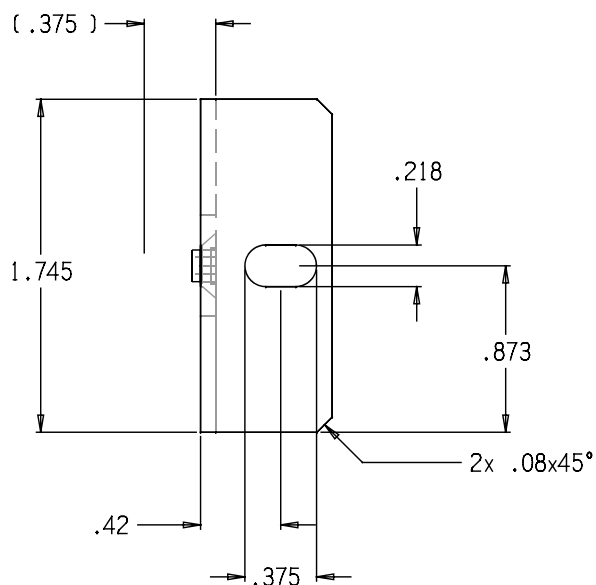
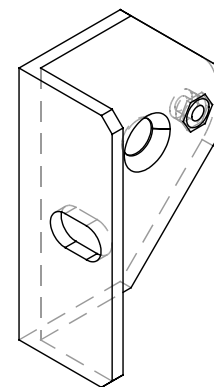
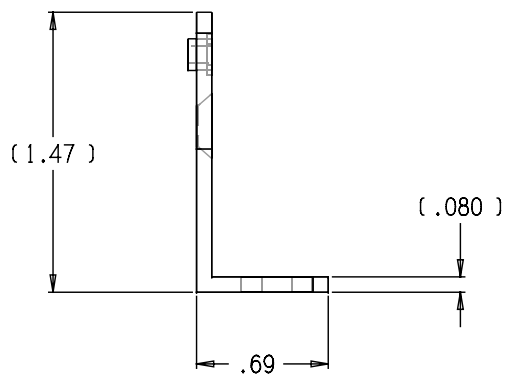
1

CAD GENERATED REFERENCE DRAWING.  
MANUFACTURE USING CAD DATA.  
REVISE CAD DATABASE ONLY.

THIS DRAWING CONTAINS INFORMATION PROPRIETARY TO NPI INC., AND IS INTENDED FOR DISTRIBUTION ONLY TO PERSONS OR ORGANIZATIONS HAVING A LEGITIMATE NEED FOR THE DRAWING. THIS DRAWING IS SUPPLIED FOR INFORMATION, IDENTIFICATION, ENGINEERING, EVALUATION AND/OR INSPECTION PURPOSES ONLY, AND MAY NOT BE USED AS A BASIS FOR THE MANUFACTURE OR SALE OF THE FURNISHING OF SERVICES TO NPI INC. OR TO ANY THIRD PARTY UNLESS AUTHORIZED IN WRITING BY NPI INC. THIS DRAWING IS PROTECTED UNDER THE COPYRIGHT LAW AS AN UNPUBLISHED WORK, AND MAY NOT BE PUBLISHED, OR COPIED OR REPRODUCED BY PERSONS OUTSIDE NPI INC. WITHOUT EXPRESS WRITTEN PERMISSION.

REV  
2  
-

REV	DESCRIPTION OF CHANGE	DATE
2	SD-440-4 was TPS-125-6	07-07-03
-	--	-----



NOTES:

1. MATERIAL: ALUMINUM ALLOY, 5052-H32, .080 THK.
2. BREAK ALL EDGES .005-.015
3. FINISH: CHROMATE CONVERSION COATING CONFORMING TO MIL-C-5541, CL. 3, CLEAR

UNLESS OTHERWISE SPECIFIED  
DIMENSIONS ARE IN INCHES  
TOLERANCES ARE:  
.X +/- 0.03  
.XX +/- 0.02  
.XXX +/- 0.010  
ANGLES +/- 1/2



4211 S.E. INT'L WAY  
MILWAUKIE, OR 97222  
TEL: (503) 652-6161  
www.npi-inc.com

MATERIAL:  
SEE NOTES  
FINISH:  
SEE NOTES

FILE: \SUN\NPI\DRAWING  
CONFIGURATION\PART DRAWINGS\  
6251\Rev 2  
DRAWN BY: K.M.  
DATE: 09-09-02

MASTER MODEL		DESCRIPTION:	
		BRACKET, MOUNTING	
SIZE: A	DWG. NO. 6251	REV: 2	
SCALE: NONE	USED ON: PB1506PFC PB1504PFC	SHEET: 1	OF 1

4

3

2

1

DO NOT SCALE DRAWING