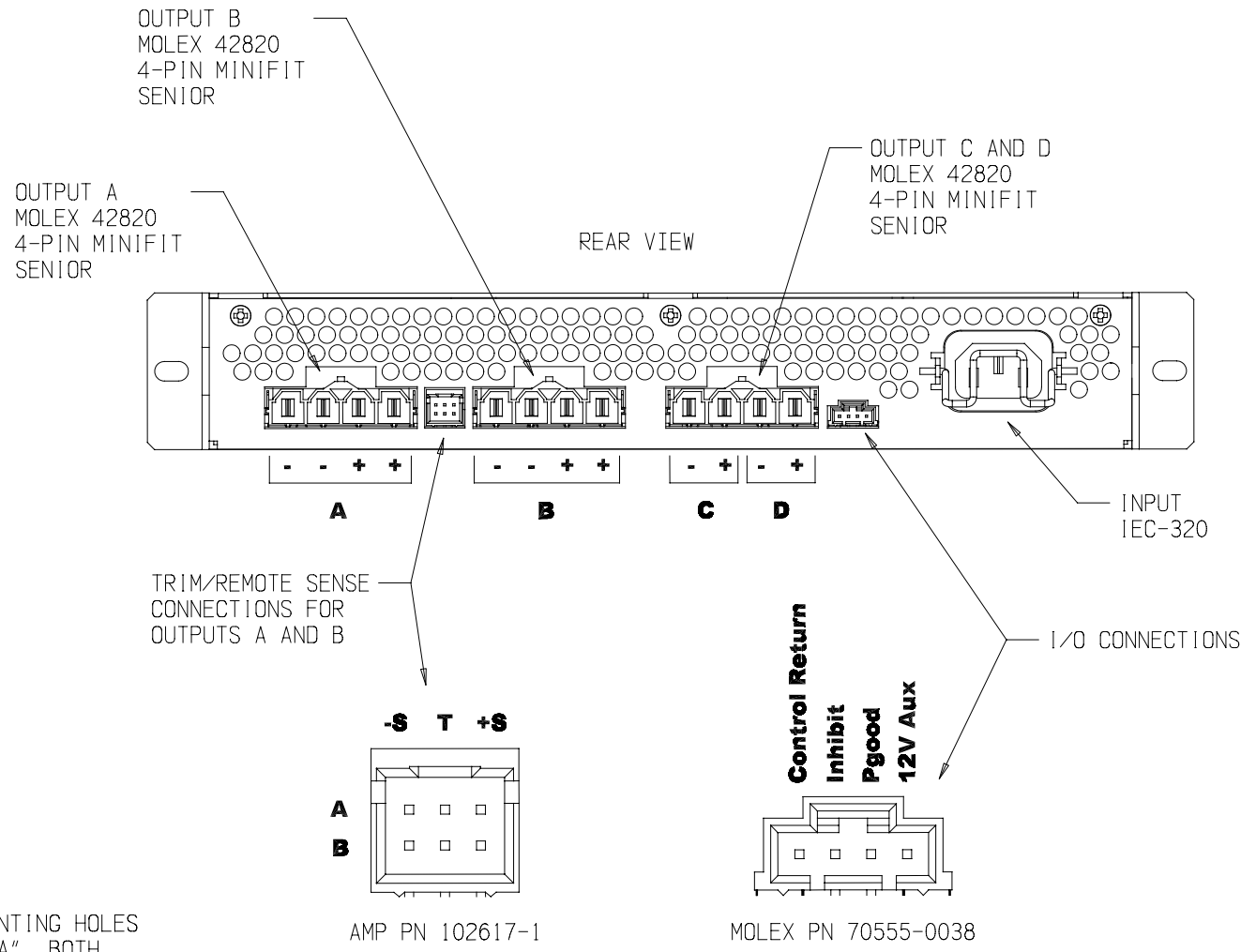
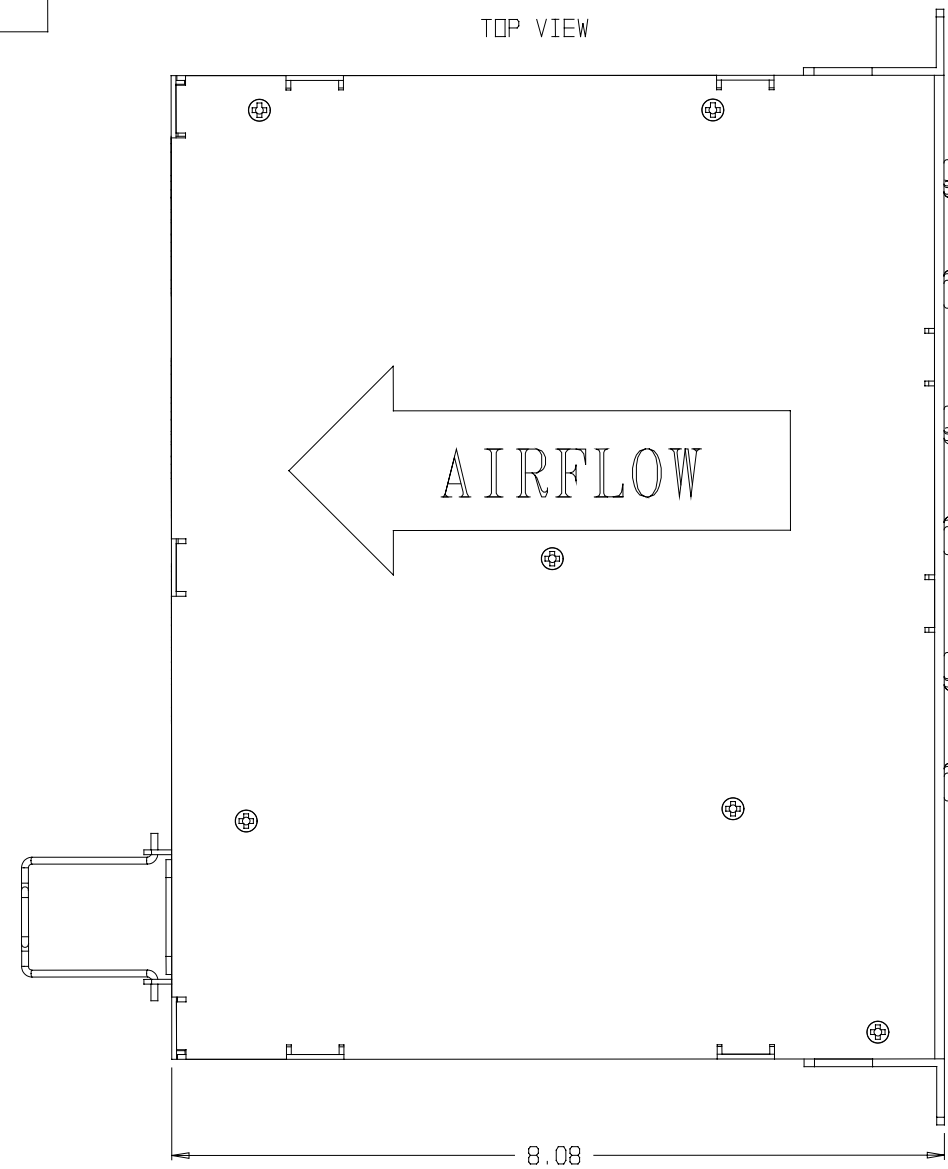


CAD GENERATED REFERENCE DRAWING.  
MANUFACTURE USING CAD DATA.  
REVISE CAD DATABASE ONLY.

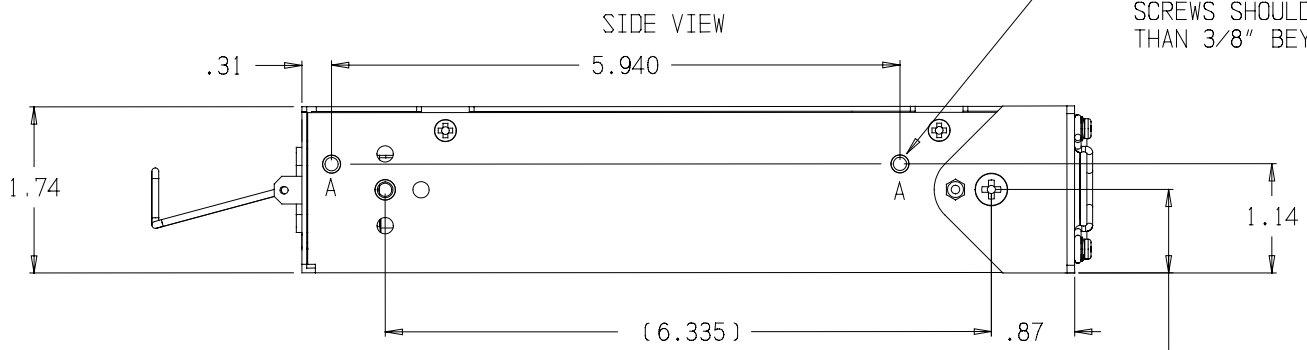
REV	DESCRIPTION OF CHANGE	DATE
A	ADDED MOUNTING REFERENCE DIMENSIONS AND NOTE	08-11-04
B	ADDED 6-32 MOUNTING HOLES (ZONE B-6, B-7)	08-12-05

TOP VIEW



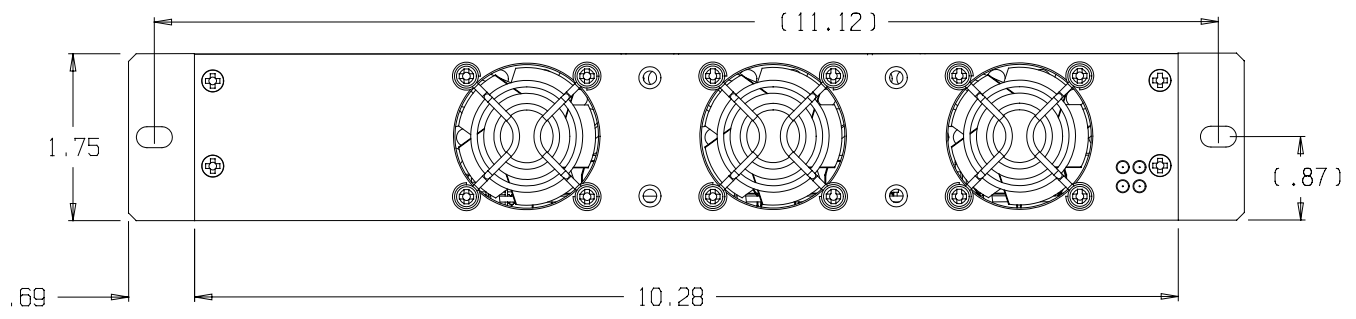
REAR VIEW

SIDE VIEW



6-32 OPTIONAL MOUNTING HOLES  
2 PLACES MARKED "A", BOTH  
SIDES OF POWER SUPPLY. MOUNTING  
SCREWS SHOULD NOT EXTEND MORE  
THAN 3/8" BEYOND OUTER WALL.

FRONT VIEW



OPTIONAL MOUNTING BRACKET  
ROTATES TO PROVIDE  
ALTERNATE MOUNTING  
CONFIGURATIONS. INSTALLS  
ON FRONT, REAR, OR BOTH.  
(SEE NOTE 1)

NOTES:  
1. IF USING MOUNTING BRACKETS, MOUNT BRACKET TO POWER SUPPLY  
USING ONLY THE SCREWS PROVIDED WITH THE BRACKET KIT.

UNLESS OTHERWISE SPECIFIED DIMENSIONS ARE IN INCHES TOLERANCES ARE:			4211 S.E. INT'L WAY MILWAUKIE, OR 97222 TEL: (503) 652-6161 www.npi-inc.com	
.X	+/- 0.03		DESCRIPTION: <b>OUTLINE DRAWING</b>	
.XX	+/- 0.02	FILE: \\SUN\NPI\DRAWING CONFIGURATION-PART DRAWINGS	SIZE: D	DWG. NO.: 7405
.XXX	+/- 0.010	MATERIAL:	SCALE: NONE	USED ON: SHEET: B
ANGLES	+/- 1/2	FINISH:	DRAWN BY: DATE:	REV: B

DO NOT SCALE DRAWING